

## CL\* - Señalizadores LED / LED signal lights



**A**

Indicador LED / LED Indicator



**B**

Indicador LED Intermitente / LED Indicator Flash Light



**C**

Indicador LED con Timbre / LED Indicator Flash Buzzer



**D**

Timbre Negro / Black Buzzer



**E**

Indicador LED Anti-interferencia / LED Anti-interference Indicator


















**F**

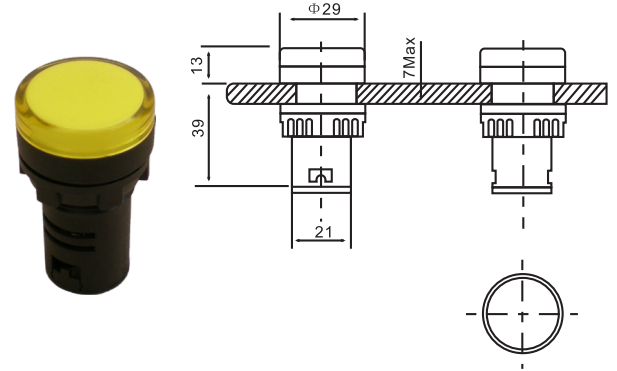
Luz Neón / Neon Light

CL	X	XX	X	X	X
	Producto Product	Voltaje Voltage	Color Colour	Corriente Current	Contacto Contact
	A	01 = 6V	B	1 - AC	0 = Unit Only
	B	02 = 12V	R	2 - DC	1 = NO
	C	03 = 24V	V	3 - AC / DC	2 = NC
	D	04 = 36V	A		3 = NC / NO
	E	05 = 48V	Y		4 = NO / NO
	F	06 = 110V	W		
	G - Bombillas / Bulbs	07 = 127V			
	H - Bombillas / Bulbs	08 = 130V			
		09 = 220V			
		10 = 380V			

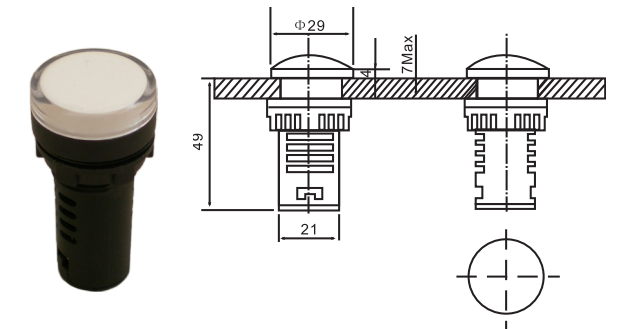
## CL\* - Señalizadores LED / LED signal lights

Voltaje Voltage	Corriente Current	Color Colour	Referencia / Reference			
			A	B	C	E
6V	AC / DC		CLA01R3	CLB01R3	CLC01R3	CLE01R3
			CLA01V3	CLB01V3	CLC01V3	CLE01V3
			CLA01A3	CLB01A3	CLC01A3	CLE01A3
			CLA01Y3	CLB01Y3	CLC01Y3	CLE01Y3
			CLA01W3	CLB01W3	CLC01W3	CLE01W3
12V	AC / DC		CLA02R3	CLB02R3	CLC02R3	CLE02R3
			CLA02V3	CLB02V3	CLC02V3	CLE02V3
			CLA02A3	CLB02A3	CLC02A3	CLE02A3
			CLA02Y3	CLB02Y3	CLC02Y3	CLE02Y3
			CLA02W3	CLB02W3	CLC02W3	CLE02W3
24V	AC / DC		CLA03R3	CLB03R3	CLC03R3	CLE03R3
			CLA03V3	CLB03V3	CLC03V3	CLE03V3
			CLA03A3	CLB03A3	CLC03A3	CLE03A3
			CLA03Y3	CLB03Y3	CLC03Y3	CLE03Y3
			CLA03W3	CLB03W3	CLC03W3	CLE03W3
36V	AC / DC		CLA04R3	CLB04R3	CLC04R3	CLE04R3
			CLA04V3	CLB04V3	CLC04V3	CLE04V3
			CLA04A3	CLB04A3	CLC04A3	CLE04A3
			CLA04Y3	CLB04Y3	CLC04Y3	CLE04Y3
			CLA04W3	CLB04W3	CLC04W3	CLE04W3
48V	AC / DC		CLA05R3	CLB05R3	CLC05R3	CLE05R3
			CLA05V3	CLB05V3	CLC05V3	CLE05V3
			CLA05A3	CLB05A3	CLC05A3	CLE05A3
			CLA05Y3	CLB05Y3	CLC05Y3	CLE05Y3
			CLA05W3	CLB05W3	CLC05W3	CLE05W3
110V	AC / DC		CLA06R3	CLB06R3	CLC06R3	CLE06R3
			CLA06V3	CLB06V3	CLC06V3	CLE06V3
			CLA06A3	CLB06A3	CLC06A3	CLE06A3
			CLA06Y3	CLB06Y3	CLC06Y3	CLE06Y3
			CLA06W3	CLB06W3	CLC06W3	CLE06W3
127V	AC / DC		CLA07R3	CLB07R3	CLC07R3	CLE07R3
			CLA07V3	CLB07V3	CLC07V3	CLE07V3
			CLA07A3	CLB07A3	CLC07A3	CLE07A3
			CLA07Y3	CLB07Y3	CLC07Y3	CLE07Y3
			CLA07W3	CLB07W3	CLC07W3	CLE07W3
220V	AC		CLA09R1	CLB09R1	CLC09R1	CLE09R1
			CLA09V1	CLB09V1	CLC09V1	CLE09V1
			CLA09A1	CLB09A1	CLC09A1	CLE09A1
			CLA09Y1	CLB09Y1	CLC09Y1	CLE09Y1
			CLA09W1	CLB09W1	CLC09W1	CLE09W1
220V	DC		CLA09R2	CLB09R2	CLC09R2	CLE09R2
			CLA09V2	CLB09V2	CLC09V2	CLE09V2
			CLA09A2	CLB09A2	CLC09A2	CLE09A2
			CLA09Y2	CLB09Y2	CLC09Y2	CLE09Y2
			CLA09W2	CLB09W2	CLC09W2	CLE09W2
380V	AC		CLA10R1	CLB10R1	CLC10R1	CLE10R1
			CLA10V1	CLB10V1	CLC10V1	CLE10V1
			CLA10A1	CLB10A1	CLC10A1	CLE10A1
			CLA10Y1	CLB10Y1	CLC10Y1	CLE10Y1
			CLA10W1	CLB10W1	CLC10W1	CLE10W1

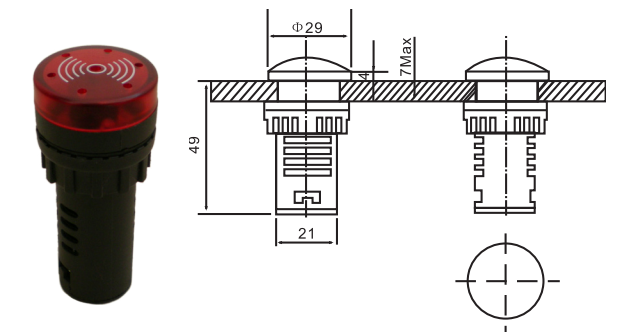
### A Indicador LED / LED Indicator



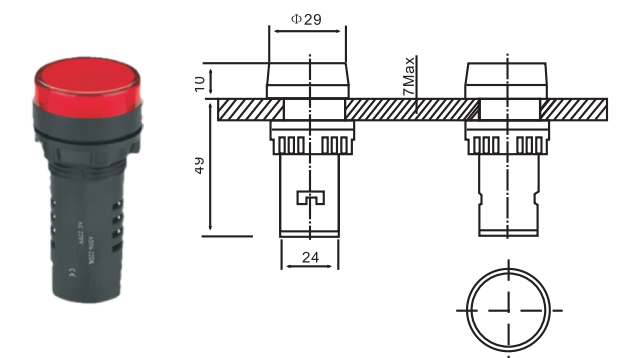
### B Indicador LED Intermitente / LED Indicator Flash Light







### C Indicador LED con Timbre / LED Indicator Flash Buzzer



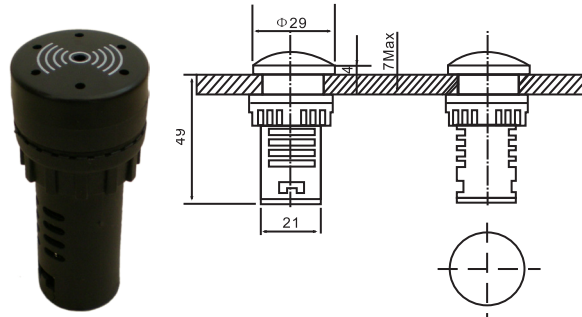
### E Indicador LED Anti-interferencia / LED Anti-interference Indicator



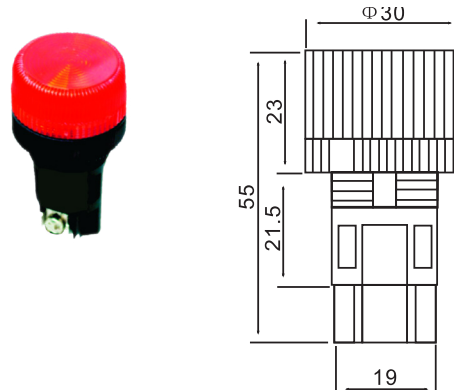
## CL\* - Señalizadores LED / LED signal lights

Voltaje Voltage	Corriente Current	Referencia / Reference		
		D		
6V	AC / DC		CLD01B3	
12V	AC / DC		CLD02B3	
24V	AC / DC		CLD03B3	
36V	AC / DC		CLD04B3	
48V	AC / DC		CLD05B3	
110V	AC / DC		CLD06B3	
127V	AC / DC		CLD07B3	
220V	AC		CLD09B1	
380V	AC		CLD10B1	
220V	DC		CLD09B2	
Voltaje Voltage	Corriente Current	Color Colour	Referencia / Reference	
			F	
130V Bulb (380V)	50 / 60 Hz			CLF08R
				CLF08V
				CLF08A
				CLF08Y
				CLF08W

### D Timbre Negro / Black Buzzer



### F Luz Neón / Neon Light



## Información general / General information:

